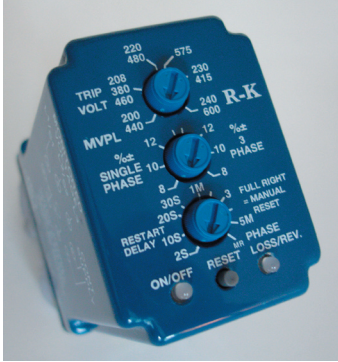


MVPL

Multi-Range Three Phase Voltage Relay



- 1Ø & 3Ø Voltage
- 200 to 600VAC
- Plug-In Package
- Adj. Over & Under Voltage Trip
- Phase Loss
- Phase Rotation
- Phase Imbalance
- Adj. Re-Start Delay
- Manual or Automatic Reset



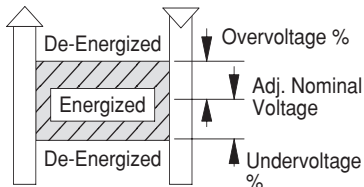
Operation

The MVPL will monitor either 1Ø or 3Ø line voltage and provide a relay contact closure if all operating conditions are satisfied. Select the operating voltage from the top pot, set the percentage pot for 1Ø or 3Ø, and then apply the supply voltage. To change ranges, remove the supply voltage and re-apply.

The operating conditions include:

- Monitoring voltages within the adjustments:
 - Range
 - Over and Under percentage
- Three Phase:
 - All phase present
 - Proper phase rotation (A-B-C)
 - Balanced phases

Automatic or Manual Reset is selected by the Restart pot. In Manual Reset when all conditions are correct, the manual reset button below the timing adjustment must be operated.



Specifications

Electrical

Line Voltage:

Single Phase: 200VAC to 240VAC, 1Ø
Three Phase: 200VAC to 600VAC, 3Ø

Supply Voltage:

24VAC, 120VAC or 240VAC, 1Ø, Continuous

Frequency: 50/60Hz

Nominal Voltage:

Adj. 200 to 600VAC *

Over/Under Voltage:

Adj. 8% to 14% of Selected Voltage

Phase Imbalance: 5%

Phase Rotation: A - B - C

Drop-out Delay: 2 sec. fixed

Re-Start Delay:

2 sec to 5 min., or manual reset

Power Consumption: 1.5VA

Output Rating @ 25°C:

10 Amps @ 125VAC
6 Amps @ 277VAC
1/8 HP @ 125, 277VAC
5 Amps @ 30VDC

Physical

Mounting: Plug-In

Termination: 8 Pin (Octal)

(Over 300VAC use OT-08)

Packaging: Dust Cover

Weight: 8.5 Oz. Approx.

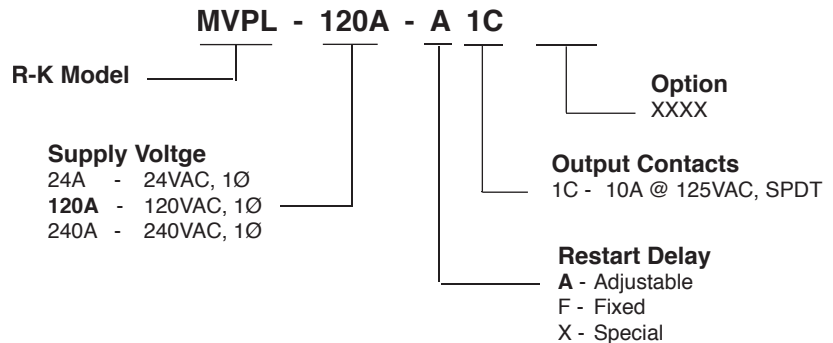
Ambient Temperatures

Operating: 0°C to 65°C

Storage: -40°C to 85°C

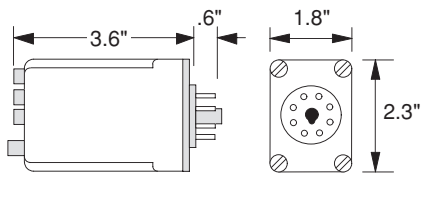
* For Line Voltages over 300 volts use 600V OT-08 socket.

Ordering Information



* For Line Voltages over 300 volts use 600V OT-08 socket.

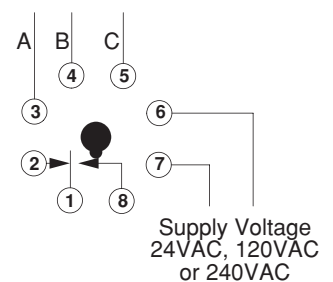
Dimensions



Connections

Three Phase:

Line Voltage
200VAC to 600VAC



Single Phase:

Line Voltage
200VAC to 240VAC

